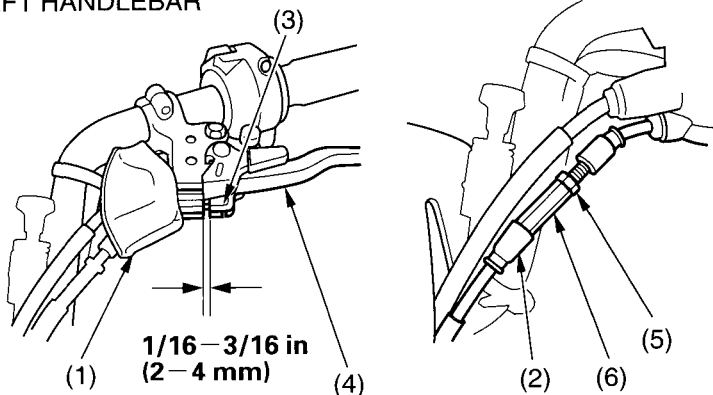


# Clutch System

## Reverse Lock System Adjustment

Refer to *Safety Precautions* on page 85 .

### LEFT HANDLEBAR



- |                          |                      |
|--------------------------|----------------------|
| (1) dust cover           | (4) rear brake lever |
| (2) rubber sleeve        | (5) lock nut         |
| (3) reverse assist lever | (6) adjusting nut    |

1. Turn over the dust cover ( 1 ) and slide the rubber sleeve ( 2 ).
2. Check the reverse assist lever ( 3 ) freeplay, measured at the rear brake lever ( 4 ) end near the cable:  
 $1/16 - 3/16$  in ( 2 - 4 mm)
3. To adjust, loosen the lock nut ( 5 ) and turn the adjusting nut ( 6 ).  
After adjustment, tighten the lock nut securely.
4. Return the dust cover and rubber sleeve.

### Other Checks

Check the reverse assist lever and cable for loose connections or other damage. If the cable is worn or kinked, have it replaced by your Honda dealer.