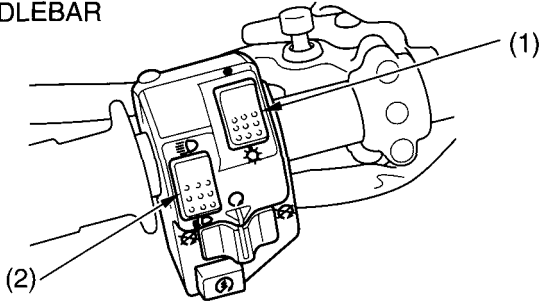


Controls & Features

Headlight Switch

LEFT HANDLEBAR



(1) headlight switch

(2) headlight dimmer switch

☀ ON
● OFF
≡D HI
≡D LOW

The headlight switch (1) is used to turn the headlight ON (☀) or OFF (●). To operate, turn the switch to ON (☀) or OFF (●).

Headlight Dimmer Switch



The headlight dimmer switch (2) is used to change between the high and low beams of the headlight. To operate, turn the switch to HI (≡D) for high beam, LO (≡D) for low beam.