

## STARTING THE ENGINE

### Preparation

1. Select a level surface and lock the parking brake (page 25 ) before starting the engine.
2. Turn the fuel cap vent lever ( 1 ), fuel valve ( 2 ) and ignition switch ( 3 ) to ON.
3. Make sure the engine stop switch ( 4 ) is at run.
4. Make sure that the transmission is in neutral by checking that the neutral indicator lamp lights.

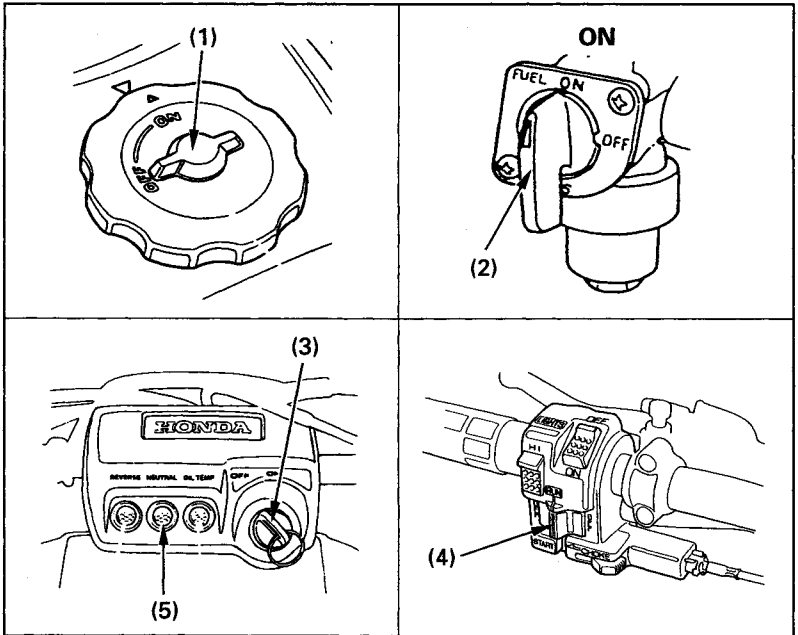


Fig. 3-8 (1) Fuel cap vent lever  
(2) Fuel valve  
(3) Ignition switch

(4) Engine stop switch  
(5) Neutral indicator lamp