

Reverse Lock System

Measure the reverse assist lever (2) free play. Free play, measured at the lever (2) end near the cable (Fig. 4-17), should be within 1/16—1/8 in (2—4 mm).

To adjust, loosen the lock nut (3) and turn the adjusting nut (4). Tighten the lock nut securely.

Other Checks:

Check the reverse assist lever and cable for loose connections or other damage. If the cable is worn or kinked, have it replaced by your Honda dealer.

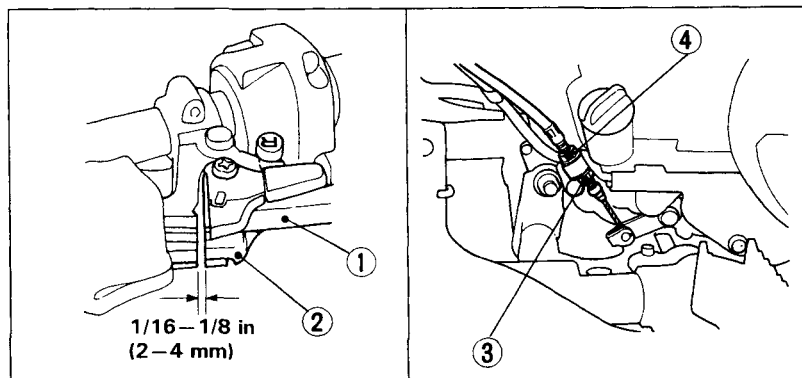


Fig. 4-17

(1) Rear brake lever
(2) Reverse assist lever

(3) Lock nut
(4) Adjusting nut