

[Australia model only]

- (25) Horn button
- (26) Speedometer
- (27) Hour meter

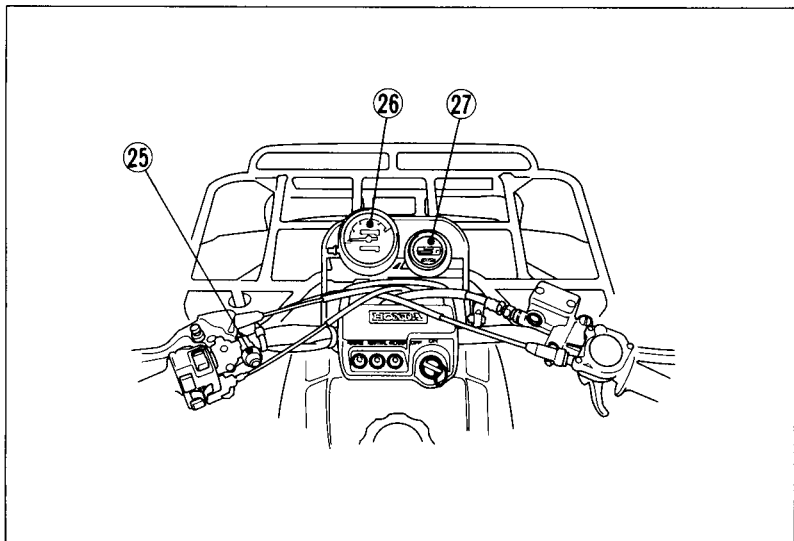


Fig. 2-4

Handlebars, from rider's point of view