

FINAL DRIVE

Change the final drive oil when specified by the MAINTENANCE SCHEDULE on page 47.

NOTE:

* Change the oil with the final drive warm, and the FOURTRAX on level ground to assure complete and rapid draining.

1. To drain the oil, remove the oil filler cap (1) and drain plug (2).

2. After the oil has completely drained, install the drain plug.

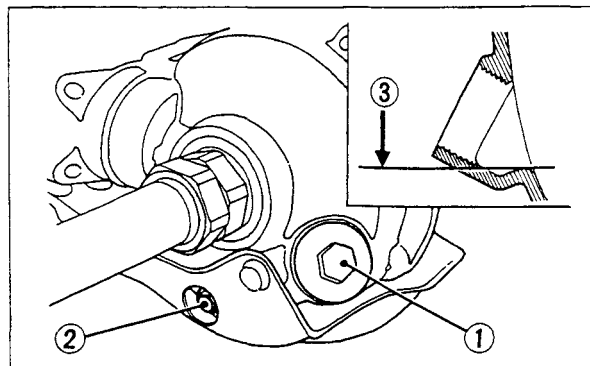
Drain Plug Torque:

10—14 N·m(1.0—1.4kg-m, 7—10 ft-lb)

3. Fill the final drive with approximately 100 cc (3.3 US oz) of the recommended oil. Make sure the recommended oil is filled up to the lower edge of the inspection hole (3).

4. Install the oil filler cap.

Recommended oil: HYPOID GEAR OIL SAE 80



(1) Oil filler cap
(2) Oil drain plug

(3) Lower edge of
inspection hole