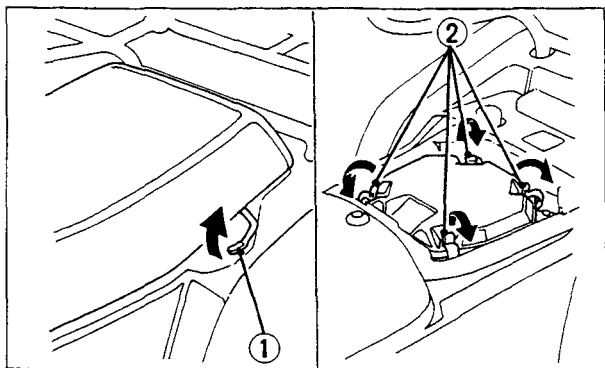


AIR CLEANER

The air cleaner element accumulates dust and must be cleaned periodically. If the FOURTRAX is ridden in dusty areas, the element must be cleaned at more frequent intervals than specified in the MAINTENANCE SCHEDULE on page 47.

To clean the filter element:

1. Remove the seat by pulling the lever (1).
2. Remove the four retainer clips (2) securing the air cleaner cover.
3. Remove the screws (3) and air cleaner assembly from the case.
4. Remove the filter element (4) from the air cleaner body (5), wash it in non-flammable or high flash point solvent and allow it to dry thoroughly.



(1) lever

(2) Retainer Clips

WARNING

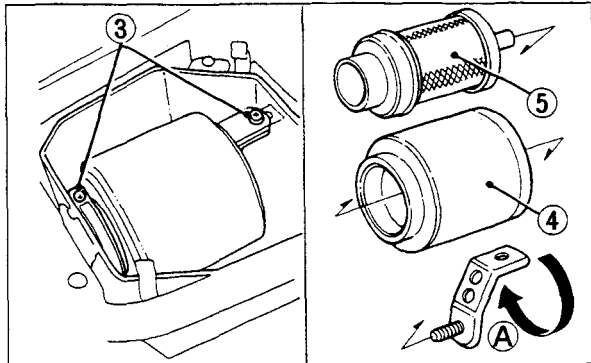
* *Never use gasoline or low flash point solvents for cleaning the air cleaner element. A fire or explosion could result.*

5. Soak the filter element in clean gear oil (SAE 80 —SAE 90) until saturated, then squeeze out the excess oil.

CAUTION:

* *Do not twist the filter element when squeezing the excess oil from the filter element. Damage to the filter element could result.*

6. Reassemble by reversing the disassembly sequence.



(3) Screws

(4) Filter element

(5) Air cleaner body

(A) Release