

## SPARK ARRESTER (USA ONLY)

The exhaust system must be periodically purged of accumulated carbon. To purge the system:

1. Select a well-ventilated area and make sure the exhaust pipe is cool.
2. Remove the bolts (Fig. 4-36), gasket (2) and spark arrester lid (3).
3. Start the engine and momentarily rev it up several times.
4. Stop the engine and allow the exhaust pipe to cool.
5. Reinstall the removed parts and tighten the bolts securely.

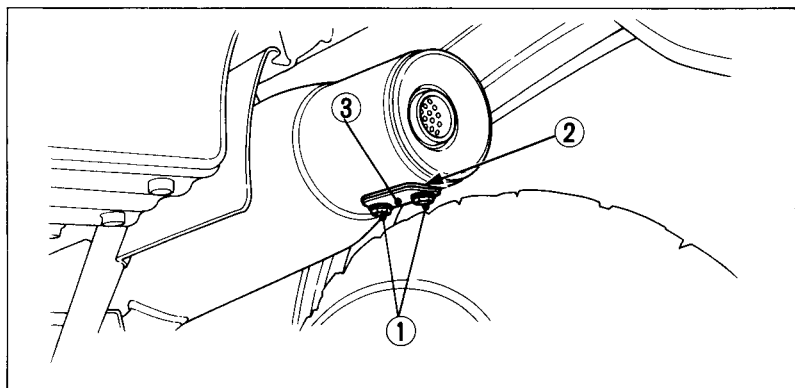


Fig. 4-36  
(1) Bolts

(2) Gasket  
(3) Spark arrester lid