

- (8) Flag pole bracket
- (9) Rear cargo rack
- (10) Fuel tank cap
- (11) 12 V DC receptacle and special plug
- (12) Front cargo rack
- (13) Kick starter (behind the right side cover)
- (14) Oil filler cap/dipstick
- (15) Right footpeg
- (16) Rear brake pedal
- (17) Headlights

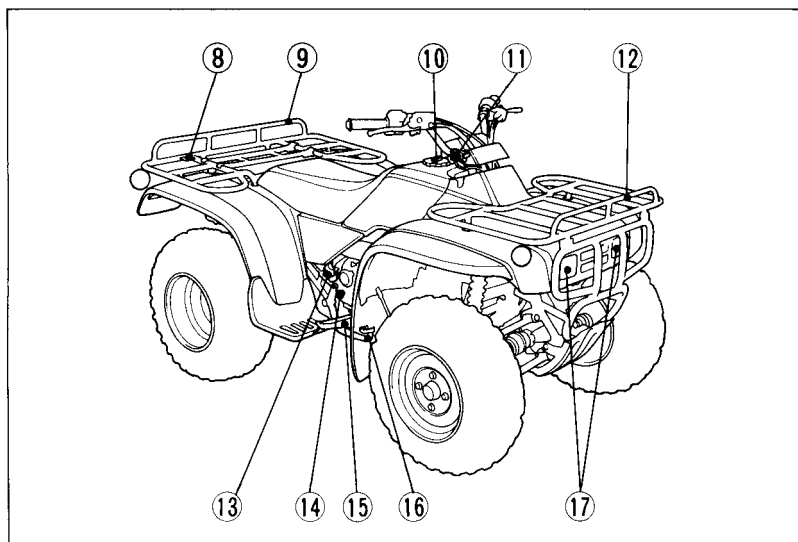


Fig. 2-2

Right side of TRX300FW