

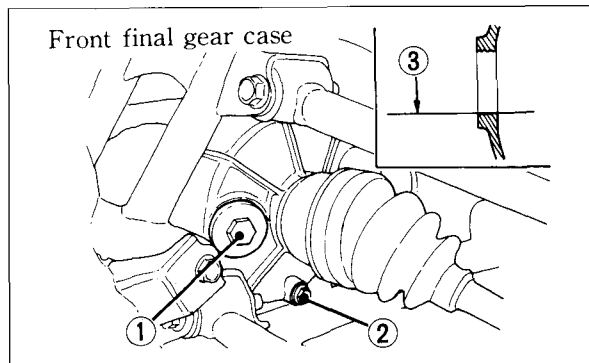
FINAL DRIVE OIL

Change the final drive oil when specified by the MAINTENANCE SCHEDULE on page 47.

NOTE:

* Change the oil with the final drive warm, and the BIG RED on level ground to assure complete and rapid draining.

1. To drain the oil, remove the oil filler cap (1) and drain plug (2).



- (1) Oil filler cap
- (2) Oil drain plug

2. After the oil has completely drained, install the drain plug.

Drain Plug Torque:

12 N·m (1.2 kg-m, 9 ft-lb)

3. Fill the gear case with the recommended oil.

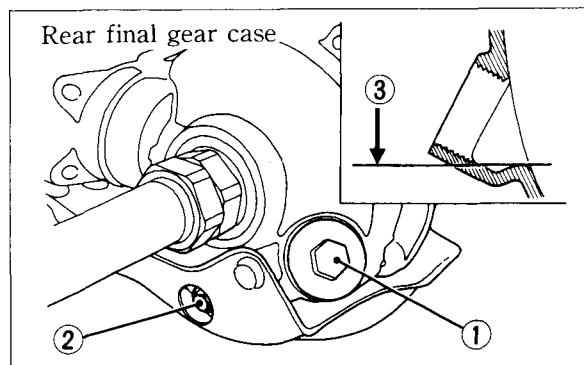
Recommended oil: **HYPOID GEAR OIL SAE 80**

Front final gear case oil: 190 cc (6.4 US oz)

Rear final gear case oil: 90 cc (3.0 US oz)

Make sure the recommended oil is filled up to the lower edge of the inspection hole (3).

4. Install the oil filler cap.



- (3) Lower edge of inspection hole