

GEAR CASE OIL

Change the oil in the gear case oil when specified by the MAINTENANCE SCHEDULE on page 47.

NOTE:

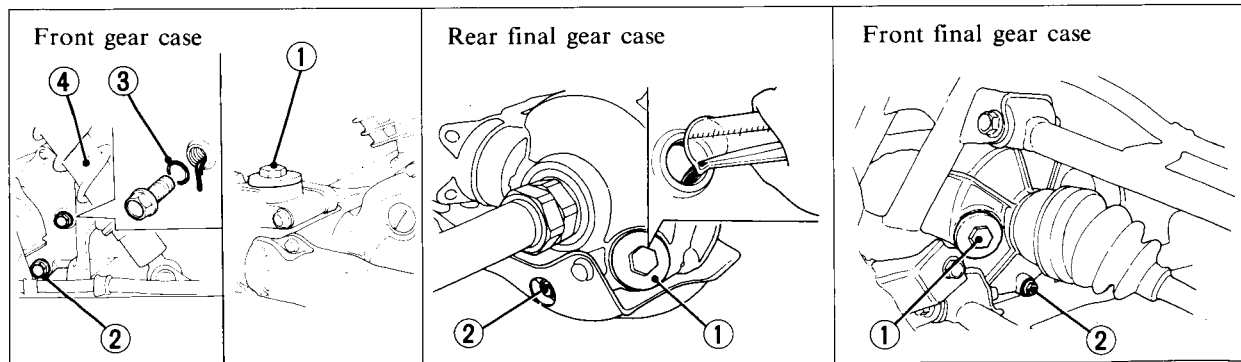
* Change the oil with the gear case warm, and the FOURTRAX on level ground to assure complete and rapid draining.

1. To drain the oil, remove the oil filler cap (1) and drain plug (2).
2. After the oil has completely drained, install the drain plug.

Drain Plug Torque:

10—14 N·m(1.0—1.4kg-m, 7—10 ft-lb)

3. Fill the gear case with the recommended oil.
Recommended oil: HYPOID GEAR OIL SAE 80
Front final gear case oil: 90 cc (3.0 US oz)
Rear final gear case oil: 90 cc (3.0 US oz)
Recommended oil: SAE 10W—40
Front gear case oil: 190 cc (6.4 US oz)
4. Install the oil filler cap.



(1) Oil filler cap

(2) Oil drain plug

(3) O-ring

(4) Left front cushion