

- (17) Fuel valve
- (18) Owner's Manual storage
- (19) Storage compartment, containing:
  - Tool kit
  - Air pressure gauge
- (20) Oil filler cap/dipstick
- (21) Gearshift pedal
- (22) Operator footpeg

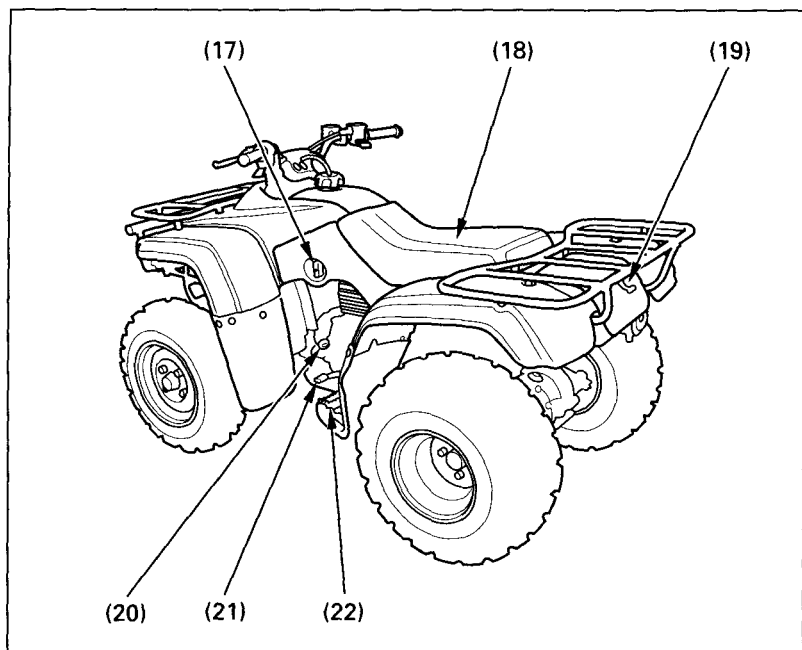


Fig. 2-3

Left side of FOURTRAX