

3. Remove the screws (2) (Fig. 4-5) and remove the air cleaner assembly (1) from the air cleaner housing.
4. Unscrew the clamp (3).
5. Remove the air cleaner (4) from the air cleaner body (5).

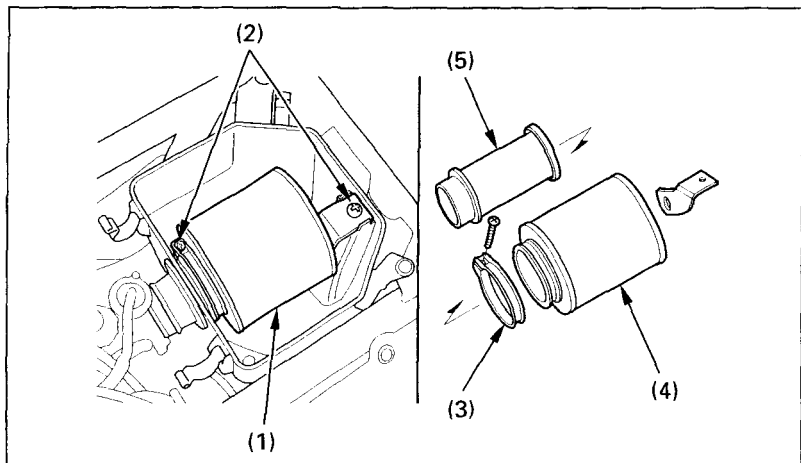


Fig. 4-5 (1) Air cleaner assembly (4) Air cleaner  
(2) Screws (5) Air cleaner body  
(3) Clamp

6. Wash the air cleaner in nonflammable or high flash point solvent and allow it to dry thoroughly.

## **⚠ WARNING**

### **POTENTIAL HAZARD**

**Using gasoline or low flash point solvents for cleaning ATV parts.**

### **WHAT CAN HAPPEN**

**A fire or explosion could result.**

### **HOW TO AVOID THE HAZARD**

**Use only a nonflammable or high flash point solvent to clean ATV parts.**