

3. Remove the screws (2) (Fig.4-5) and remove the air cleaner assembly (1) from the air cleaner housing.
4. Unscrew the clamp (3).
5. Remove the air cleaner (4) from the air cleaner body (5).

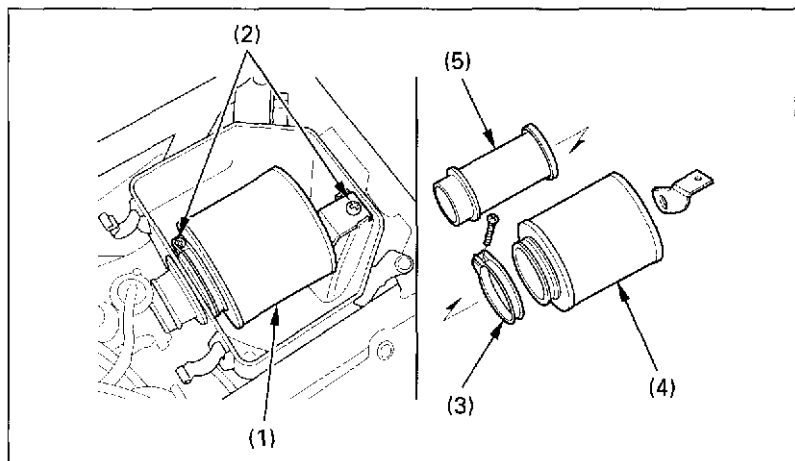


Fig. 4-5 (1) Air cleaner assembly  
(2) Screws  
(3) Clamp

(4) Air cleaner  
(5) Air cleaner body