

Adjusting Idle Speed and Air-Fuel Mixture

NOTE:

Do not try to compensate for faults in other systems by adjusting the carburetor.

To adjust the idle speed:

1. Warm up the engine. The engine must be warm for accurate idle adjustment. Ten minutes of stop-and-go riding is sufficient.
2. Adjust idle speed by turning the throttle stop screw (Fig. 4-9).
Idle Speed:
 $1,400 \pm 100 \text{ min}^{-1} \text{ (rpm)}$

To adjust the air-fuel mixture:

1. Turn the pilot screw (2) clockwise until you hear the engine miss or decrease in speed.
2. Then turn the screw counterclockwise until the engine misses or decreases in speed again.
3. Center the pilot screw exactly between the two extreme positions. Usually, the correct setting (between extremes of rich and lean) will be found at 2.0 turns open from a fully closed position.
4. If idle speed changes after adjusting the fuel mixture, readjust the throttle stop screw.

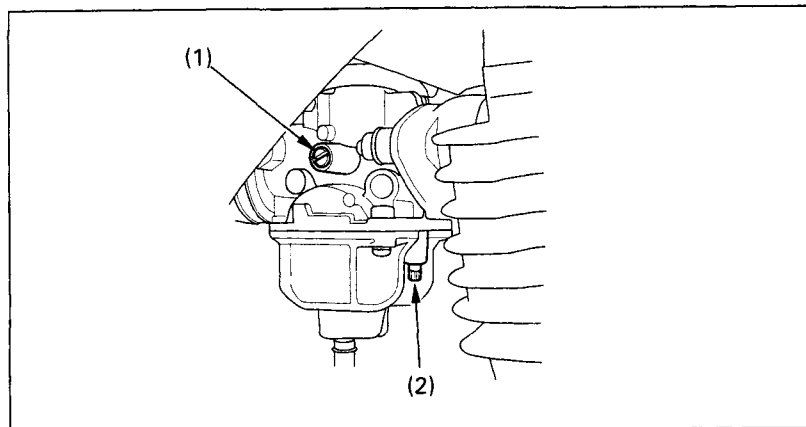


Fig. 4-9

(1) Throttle stop screw

(2) Pilot screw