

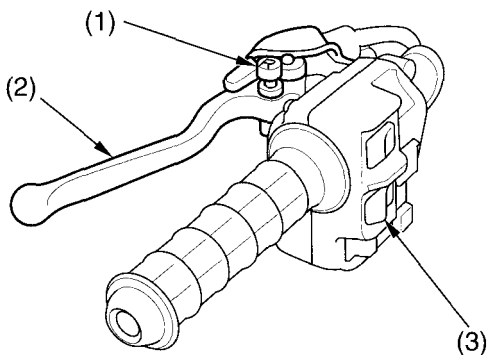
# Controls & Features

## Gear Shift Switch

The gear shift switch is used to select the next higher or lower gear in the transmission. To operate, press the upshift switch to engage the next higher gear or press the downshift switch to engage the next lower gear. See *Shifting Gears*, page 54.

## Reverse Selector Knob

The reverse selector knob ( 1 ), located on the rear brake lever ( 2 ), is used to shift into reverse. To operate, with your ATV stopped and the transmission in neutral (Make sure the gear position indicator shows “N”), push in the knob, squeeze the rear brake lever, then press the downshift switch ( 3 ) once. See *Riding in Reverse*, page 61.



(1) reverse selector knob  
(2) rear brake lever

(3) downshift switch