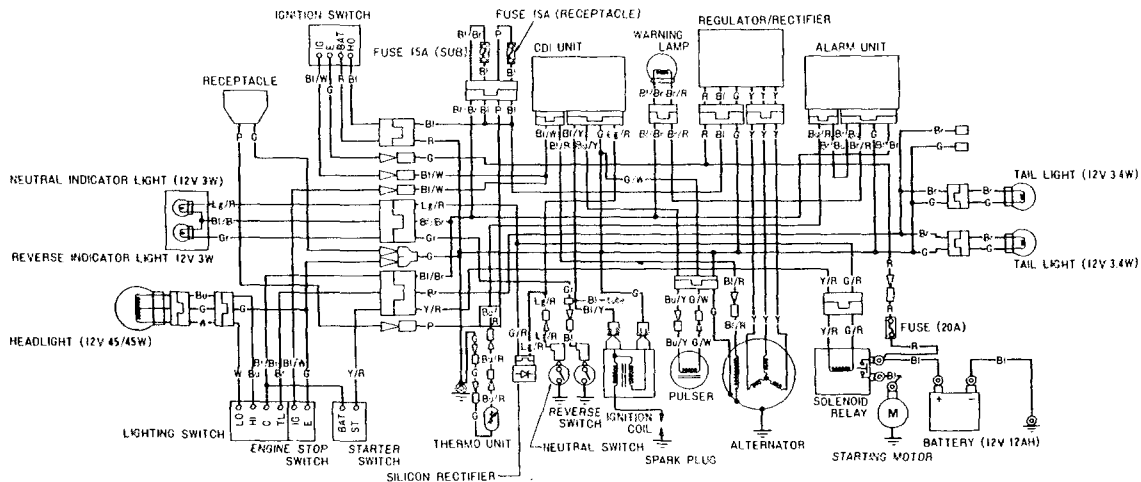
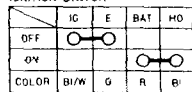


WIRING DIAGRAM

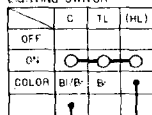


SWITCH CONTINUITY

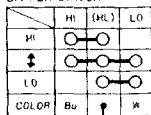
IGNITION SWITCH



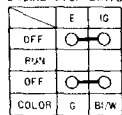
LIGHTING SWITCH



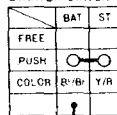
DIMMER SWITCH



ENGINE STOP SWITCH



STARTER SWITCH



- | | | | |
|----|--------|----|-------------|
| Bl | Black | B | Brown |
| Y | Yellow | O | Orange |
| Bu | Blue | Lb | Light Blue |
| G | Green | Lg | Light Green |
| R | Red | P | Pink |
| W | White | Gr | Grey |

0030Z-HA8^A-0000-