

## Starter Button

The starter button (1) is below the headlight switch. When the starter button is pressed, with the transmission in neutral and the ignition switch on, the starter motor will crank the engine.

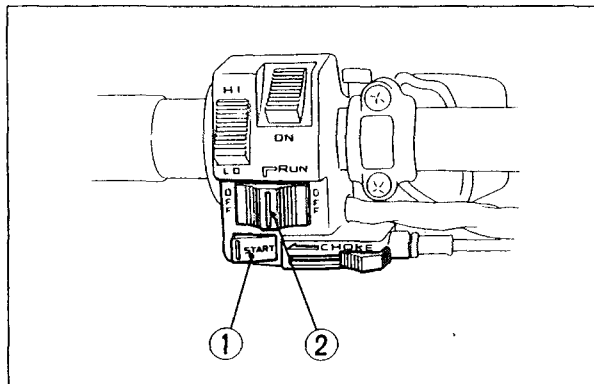
## Engine Stop Switch

The three position engine stop switch (2) is next to the left handlebar grip. When the switch is in the RUN position, the engine will operate. When the switch is in either OFF position, the engine will not operate.

This switch is intended primarily as a safety or emergency switch and should normally remain in the RUN position.

### NOTE:

- \* If your FOUR TRAX is stopped with the ignition switch ON and the engine stop switch OFF, the headlight will still be on, resulting in battery discharge.



(1) Starter button

(2) Engine stop switch