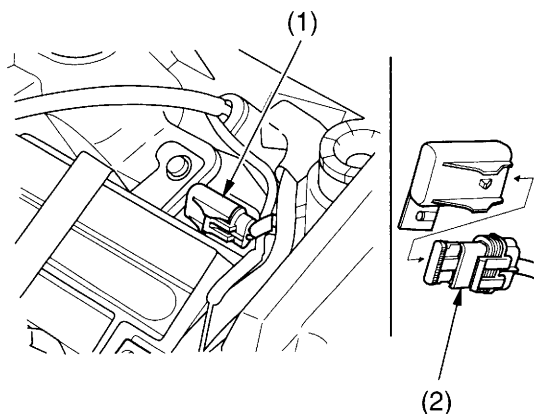


# If a Fuse Blows

## Main Fuse Access

### UNDER SEAT



- (1) fuse holder assembly
- (2) fuse holder

1. To prevent an accidental short circuit, turn the ignition switch OFF (  $\bigcirc$  ) before checking or replacing the fuses.
2. To access the fuse, remove the seat (page 86 ).
3. Remove the fuse holder assembly ( 1 ).
4. Pull the old fuse out of the fuse holder ( 2 ).
5. Push the new fuse in to the fuse holder.
6. Install the fuse holder assembly and seat.