

### Brake Fluid Level:

Check if the fluid level is below the lower level mark (1) through the inspection window (2).

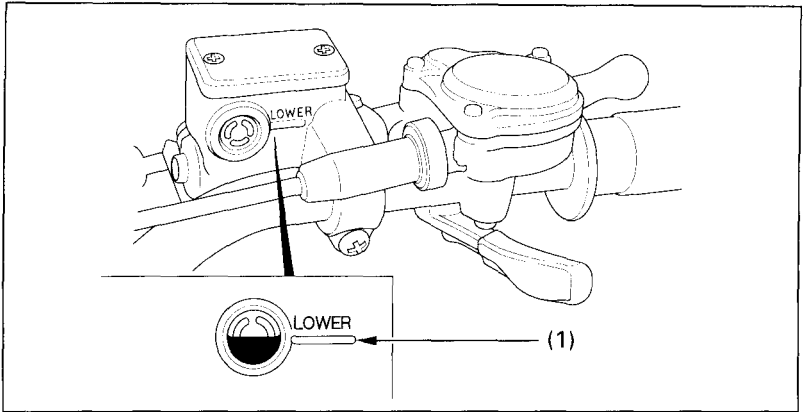


Fig. 4-20 (1) Lower level mark

(2) Inspection window

## **⚠ WARNING**

### **POTENTIAL HAZARD**

**Brake fluid contacting the skin or eyes.**

### **WHAT CAN HAPPEN**

**May cause irritation.**

### **HOW TO AVOID THE HAZARD**

**Avoid contacting brake fluid with the skin or eyes. In case of contact, flush thoroughly with water and call a doctor if your eyes were exposed.**