

4. Remove the screws (2) (Fig. 4-5) and remove the air cleaner assembly (1) from the air cleaner housing.
5. Unscrew the clamp (3).
6. Remove the air cleaner (4) from the air cleaner body (5).

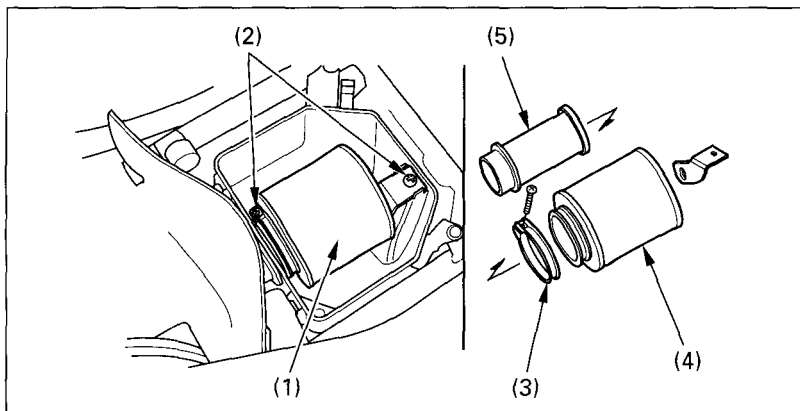


Fig. 4-5      (1) Air cleaner assembly      (4) Air cleaner  
                   (2) Screws                              (5) Air cleaner body  
                   (3) Clamp

7. Gently wash the air cleaner in clean, non-flammable (high flash point) solvent such as kerosene — not gasoline. Allow the air cleaner to dry thoroughly before applying oil. A wet air cleaner will not fully absorb the oil.

## ⚠ WARNING

### POTENTIAL HAZARD

Using gasoline or low flash point solvents for cleaning ATV parts.

### WHAT CAN HAPPEN

A fire or explosion could result.

### HOW TO AVOID THE HAZARD

Use only a nonflammable or high flash point solvent to clean ATV parts.