

STARTING THE ENGINE

Preparation

1. Select a level surface and lock the parking brake (page 22) before starting the engine.
2. Turn the fuel valve (1) and ignition switch (2) to ON.
3. Make sure the engine stop switch (3) is at RUN (\bigcirc).
4. Make sure that the transmission is in neutral by checking that the neutral indicator (4) lights.

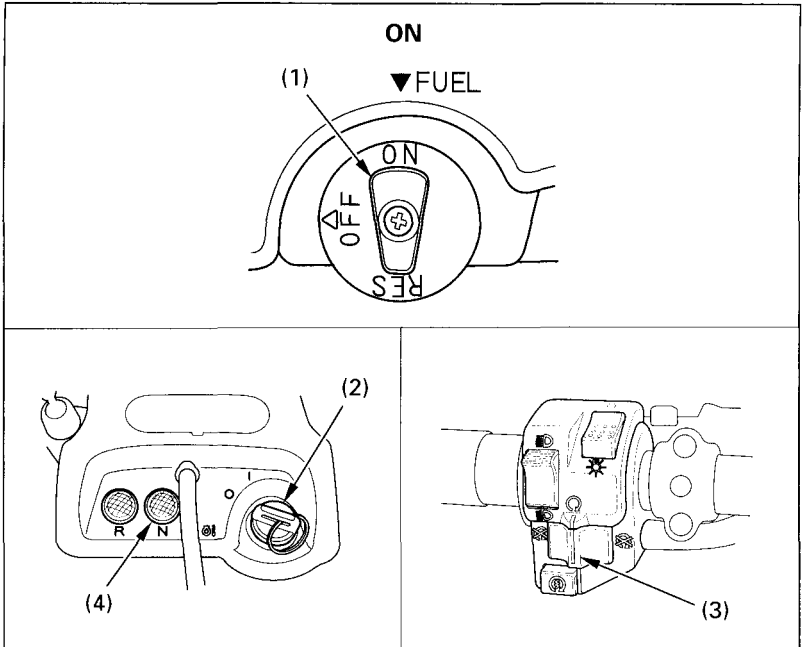


Fig. 3-8

(1) Fuel valve
(2) Ignition switch

(3) Engine stop switch
(4) Neutral indicator lamp