

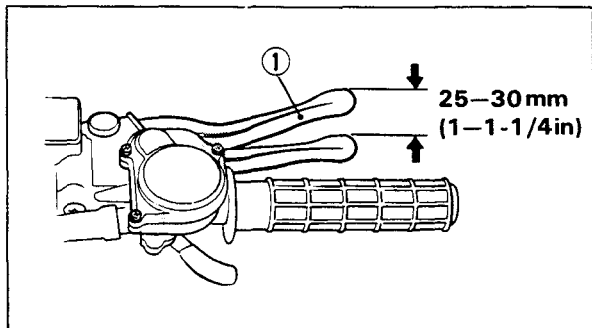
BRAKES

Front Brake Lever

This FOUR TRAX has a hydraulic front drum brake. Fluid level and shoe lining wear must be inspected periodically. The system must be inspected frequently to ensure there are no fluid leaks.

1. Measure the distance the brake lever moves before the brake starts to take hold.

Free play, measured at the tip of the front brake lever (1), should be within 25–30 mm (1–1-1/4 in).



(1) Front brake lever

2. Remove the brake shoe lining inspection hole cap (2) and inspect the lining thickness.

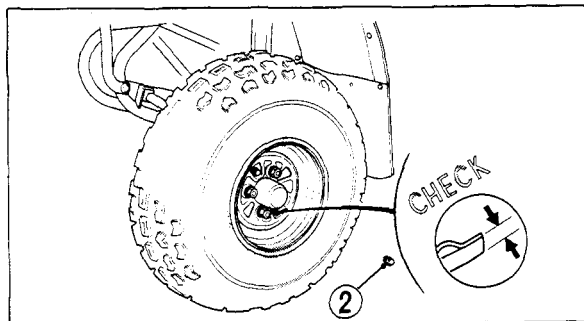
Lining Thickness:

Standard: 4.0 mm (0.16 in)

Service Limit: 2.0 mm (0.08 in)

NOTE:

- * If either lining is worn beyond the limit, both brake shoes must be replaced.
3. If the brake lever free play is excessive and the brake linings are not worn beyond the recommended limit, adjust the brake shoe lining-to-drum clearance.



(2) Lining inspection hole cap