

FUSE

As illustrated in Fig. 4-20, the main fuse (1) and the spare fuse (3) are located in the battery compartment. The main fuse is 15 A.

If a fuse fails frequently, it usually indicates a short circuit or an overload in the electrical system. See your authorized Honda dealer for repair.

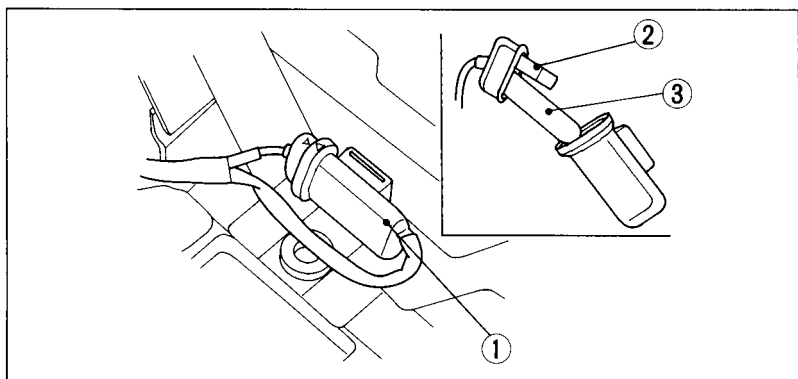


Fig. 4-20

(1) Main fuse

(2) Spare fuse

(3) Fuse holder

To replace a fuse:

1. Make sure the ignition switch is OFF.

CAUTION:

Turn the ignition switch OFF before checking or replacing the fuse to prevent accidental short-circuiting which could damage the electrical system.