

## High Air Temperature

35°C (95°F) or above

1. Do not use the choke.
2. Open the throttle slightly.
3. Start the engine by pressing the starter button.

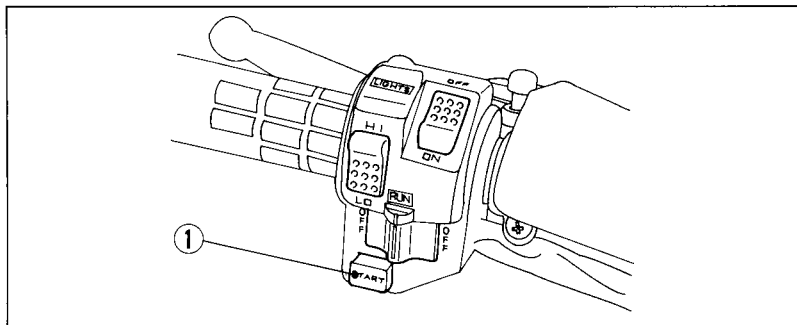


Fig. 3-10

(1) Starter button

## Low Air Temperature

10°C (50°F) or below

1. Follow steps 1 – 5 under Normal Air Temperature.
2. Warm up the engine by opening and closing the throttle slightly.
3. Continue warming up the engine until it will idle smoothly with the choke knob pushed down all the way to Fully OFF (C).

### **CAUTION:**

- \* Extended use of the choke may impair piston and cylinder wall lubrication, causing shortened engine life.
- \* Do not race the engine during the warm-up period.  
Racing a cold engine wastes fuel and increases engine wear.