

## PARTS LOCATION AND OPERATION

### PARTS LOCATION

- (1) Rear brake lever  
Parking brake
- (2) Reverse selector knob
- (3) Headlight switches  
Engine stop switch  
Starter button  
Headlight dimmer switch
- (4) Choke knob
- (5) Reverse indicator lamp  
Neutral indicator lamp
- (6) Front brake lever
- (7) Ignition switch

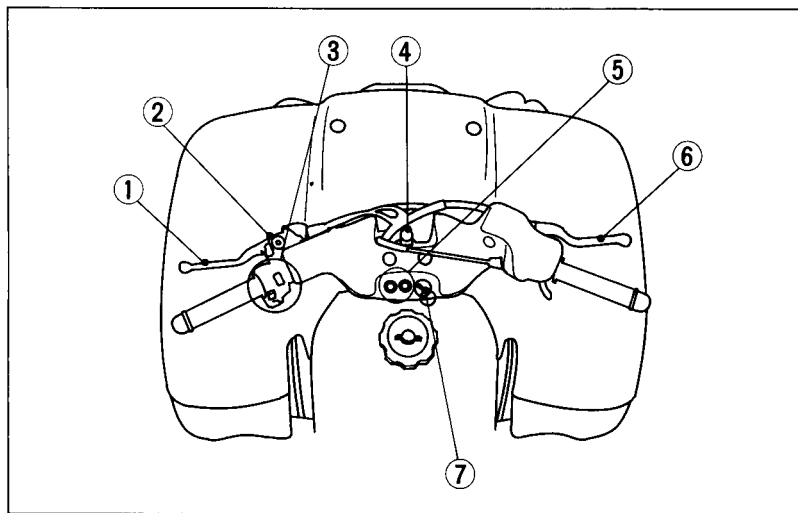


Fig. 2-1

Handlebars, from rider's point of view