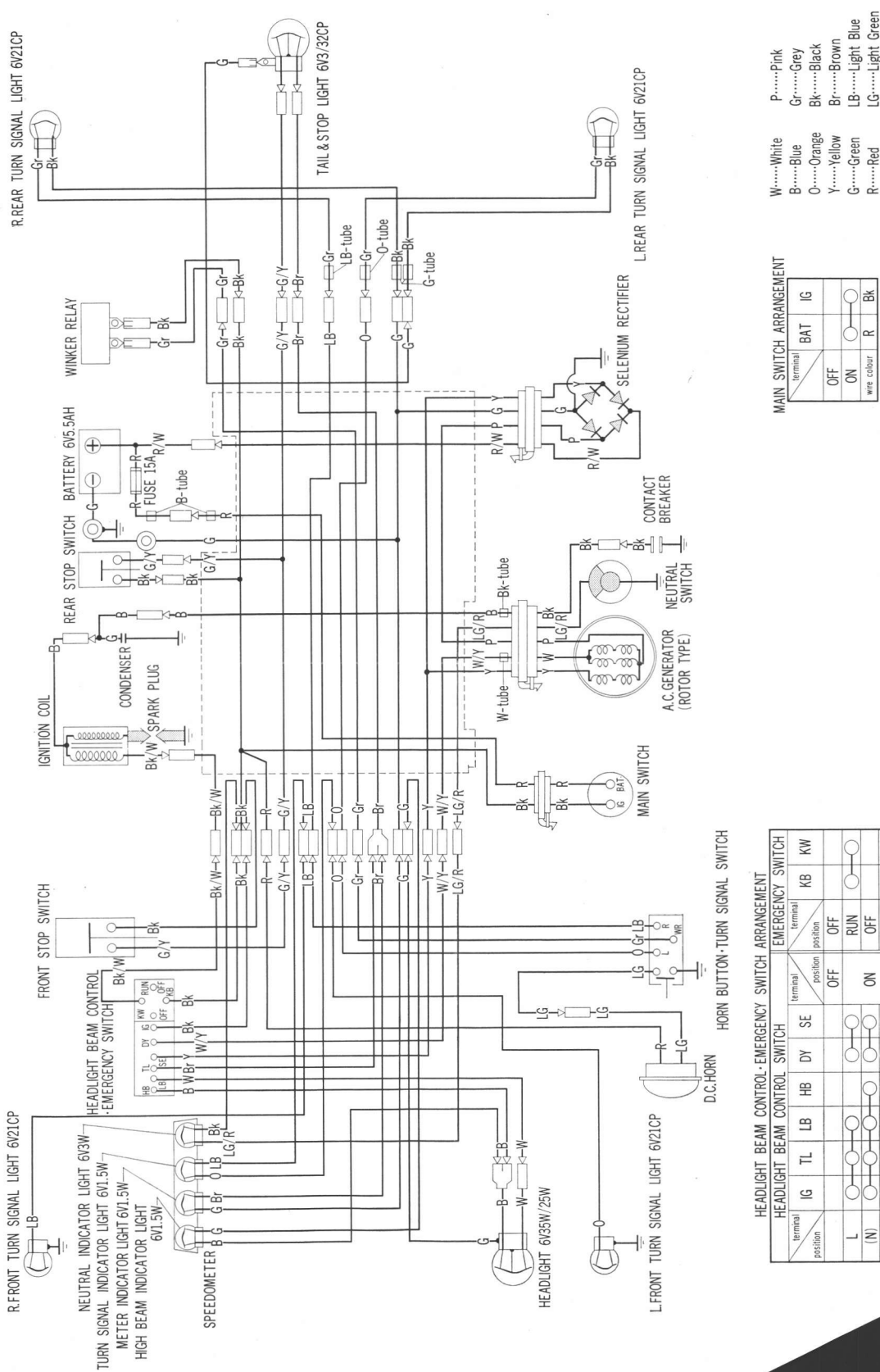


# ST 90 WIRING DIAGRAM



- P.....Pink
- W.....White
- B.....Blue
- O.....Orange
- Y.....Yellow
- G.....Green
- R.....Red
- Gr.....Grey
- Bk.....Black
- Br.....Brown
- LB.....Light Blue
- LG.....Light Green

MAIN SWITCH ARRANGEMENT

terminal	BAT	IG
OFF	○	○
ON	○	○
wire colour	R	Bk

HEADLIGHT BEAM CONTROL-EMERGENCY SWITCH ARRANGEMENT

HEADLIGHT BEAM CONTROL SWITCH		EMERGENCY SWITCH		KB	KW
terminal	position	terminal	position	terminal	terminal
IG	○	OFF	○	OFF	○
TL	○	OFF	○	RUN	○
LB	○	ON	○	OFF	○
HB	○				
DY	○				
SE	○				
W	○				
Br	○				
Bk	○				
wire colour					Bk/W

HORN BUTTON-TURN SIGNAL SWITCH

