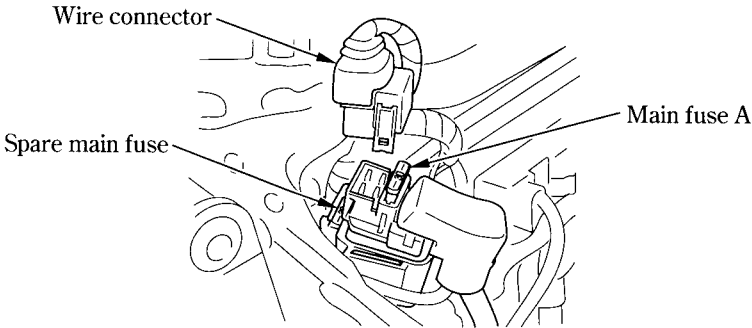

Main Fuse A:

1. Remove the left side cover (page 89).
2. Disconnect the wire connector of the starter magnetic switch.
Pull out the old fuse and install a new fuse.
3. The spare fuse is located behind the starter magnetic switch.
4. Reconnect the connector and install the seat.



Main Fuse B:

1. Remove the right side cover (page 89).
2. Remove the fuse cover.
3. Loosen the screws then replace the fuse.
After replacing the fuse, tighten the screws.
Install the fuse cover and right side cover.

