

WHEEL REMOVAL

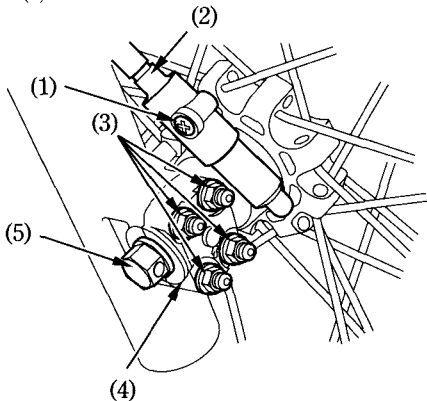
(Refer to the maintenance precautions on page 52).

NOTE:

- * This motorcycle is equipped with a side stand only. Therefore, if front or rear wheel removal is required, it will be necessary to raise the center of the motorcycle with a jack or other firm support. If none is available, see your Honda dealer for this service.

Front Wheel Removal

1. Raise the front wheel off the ground by placing a support block under the engine.
2. Remove the speedometer cable set screw (1) and disconnect the speedometer cable (2).



- | | |
|-----------------------|-----------------|
| (1) Screw | (4) Axle holder |
| (2) Speedometer cable | (5) Axle |
| (3) Axle holder nuts | |