

CLUTCH

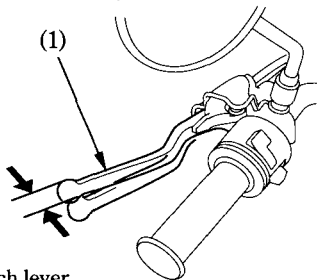
Adjustment:

Clutch adjustment may be required if the motorcycle stalls when shifting into gear or tends to creep; or if the clutch slips, causing acceleration to lag behind engine speed. Minor adjustments can be made with the clutch cable adjuster (4) at the lever (1).

Normal clutch lever free play is:

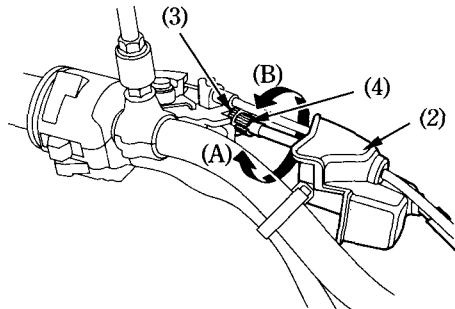
10–20 mm (0.4–0.8 in)

1. Pull back the rubber dust cover (2). Loosen the lock nut (3) and turn the adjuster (4). Tighten the lock nut (3) and check the adjustment.



(1) Clutch lever

2. If the cable adjuster is threaded out near its limit or the correct free play cannot be obtained using the cable adjuster (4), a major adjustment must be made. Loosen the lock nut (3) and turn in the cable adjuster (4) completely. Tighten the lock nut (3) and install the rubber dust cover (2).



(2) Dust cover

(3) Lock nut

(4) Clutch cable adjuster

(A) Increase free play

(B) Decrease free play