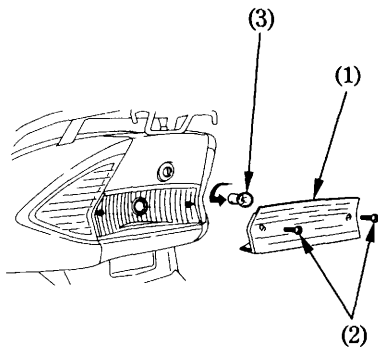


Stop/Taillight Bulb

1. Remove the taillight lens (1) by removing the screws (2).
2. Remove the bulb (3) by pressing in and turning counterclockwise.
3. Install a new bulb in the reverse order of removal.



- (1) Taillight lens
- (2) Screws
- (3) Bulb