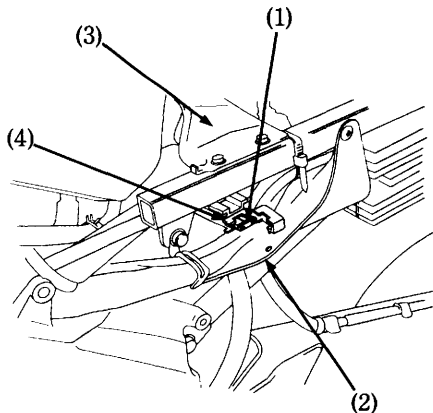


Main fuse B:

The main fuse B (1) is located behind the left side of the rear cowl. The specified fuse is:

30A

1. Remove the seat (page 43).
2. Remove the rear cowl (page 45).
3. Unhook the heat insulate rubber (2) from the frame cross member (3).
4. Slide the main fuse holder (4) upward and remove it from the holder stay. Pull out the main fuse holder from under neath the frame cross member.
5. Open the fuse holder cover.
6. Pull out the old fuse and install a new fuse.
The spare fuse is located on the battery band.
7. Close the fuse holder cover and install the removed parts in the reverse order of removal.



- (1) Main fuse B
- (2) Heat insulate rubber
- (3) Frame cross member
- (4) Main fuse holder