

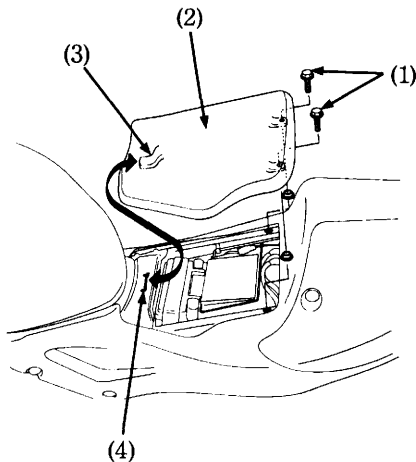
## SEAT

### Removal:

1. Pull up the seat end and remove the two bolts (1).
2. Pull the seat (2) back and up.

### Installation:

1. Insert the seat tab (3) into the hook (4).
2. Install and tighten the two bolts securely.



(1) Bolts  
(2) Seat

(3) Seat tab  
(4) Hook