

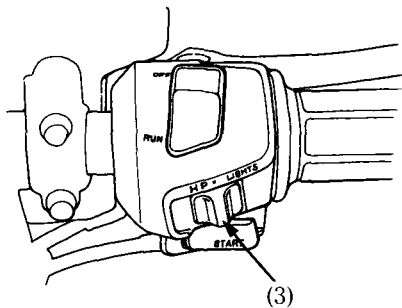
## Headlight Switch

The headlight switch (3) has three positions; "H", "P" and "OFF" marked by a red dot to the left of "P".

H: Headlight, taillight, position light and meter lights on.

P: Position light, taillight and meter lights on.

OFF (dot): Headlight, taillight, position light and meter lights off.



(3) Headlight switch