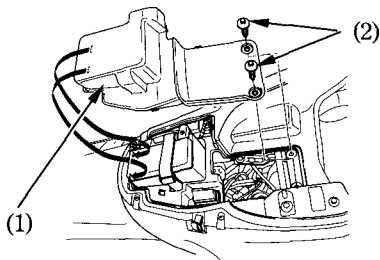
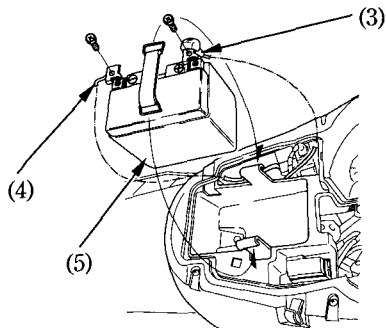


### Battery removal:

1. Lift the seat (page 39).
2. Remove the battery cover (1) by removing the clips (2).
3. Disconnect the negative (-) terminal lead (3) from the battery first, then disconnect the positive (+) terminal lead (4).
4. Pull out the battery (5) from the battery box.



- (1) Battery cover
- (2) Clips



- (3) Negative (-) terminal lead
- (4) Positive (+) terminal lead
- (5) Battery