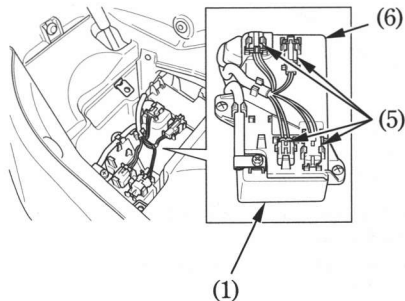
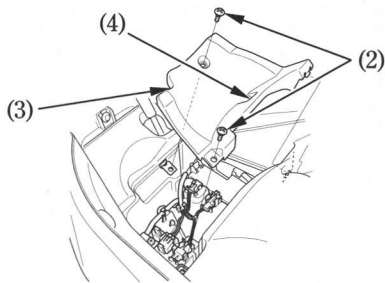


The battery (1) is in the battery box below the seat.

Removal:

1. Make sure the ignition switch is OFF.
2. Open the front seat (page 101) and remove the inner mat (page 143).
3. Remove the screws (2) and battery cover (3).
4. Pull up the battery cover using the hole (4).
5. Remove the couplers (5) from battery band (6).



- | | |
|-------------------|------------------|
| (1) Battery | (4) Hole |
| (2) Screws | (5) Couplers |
| (3) Battery cover | (6) Battery band |