

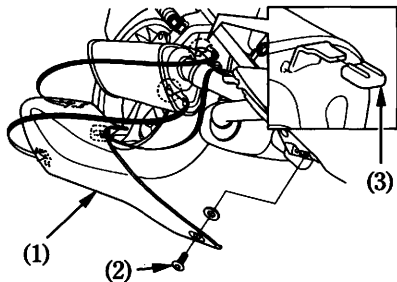
UNDER COWL

The right under cowl must be removed to replace the HFT oil filter.

Immediately after stopping the engine, the engine, exhaust pipe and muffler are too hot. Be careful not to burn yourself.

Removal:

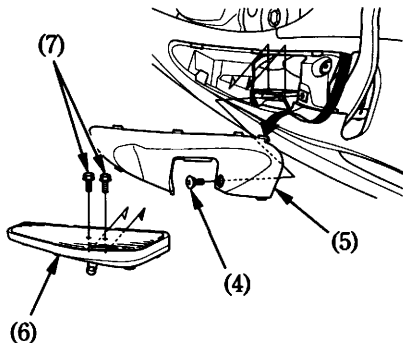
1. To remove the muffler cover (1), remove the muffler cover bolt (2) and washer, and pull out from the prongs.



- (1) Muffler cover
(2) Muffler cover bolt

- (3) Rubber cap

2. Remove the screw (4) and pull out the under cowl cover (5).
3. Remove the right step board (6) by removing the step board mounting bolts (7).



- (4) Screw

- (6) Right step board

- (5) Under cowl cover (7) Step board mounting bolts