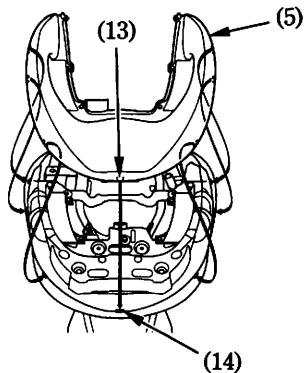


Installation:

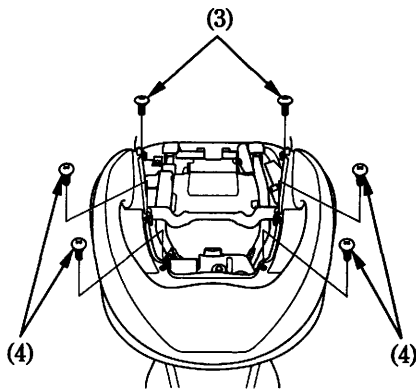
1. Attach the rear cowl in the reverse order of removal.
2. Attach the center hook (13) of the grab rail cover (5) to the tab (14). Then, install the grab rail cover so that the center hook does not slip.



- (5) Grab rail cover
(13) Center hook

- (14) Tab

3. Install the screws A (3) and screws B (4).
4. Install the rear center cowl and clips A.
5. Install the rear seat (page 71).



- (3) Screws A
(4) Screws B