

Seats

Seats

Your Honda MUV is equipped with individual seats for the driver and a passenger. The seat bottoms have only one position, but the seat-backs are adjustable.

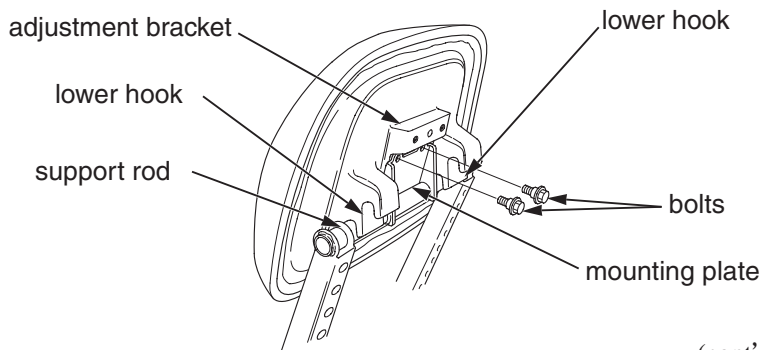
Adjustable Seat-Backs

The driver's and passenger's seat-backs can be adjusted to allow an occupant to sit a little closer to, or farther from, the driver's controls or the passenger handhold.

The left and right seat-backs can be adjusted in the same manner.

To adjust a seat-back to a forward position:

1. Lift the front of the cargo bed (page 36) to gain access to the seat-back.
2. Using a 10 mm wrench, remove the bolts that secure the adjustment bracket on the back of the seat-back to the mounting plate.



(cont'd)