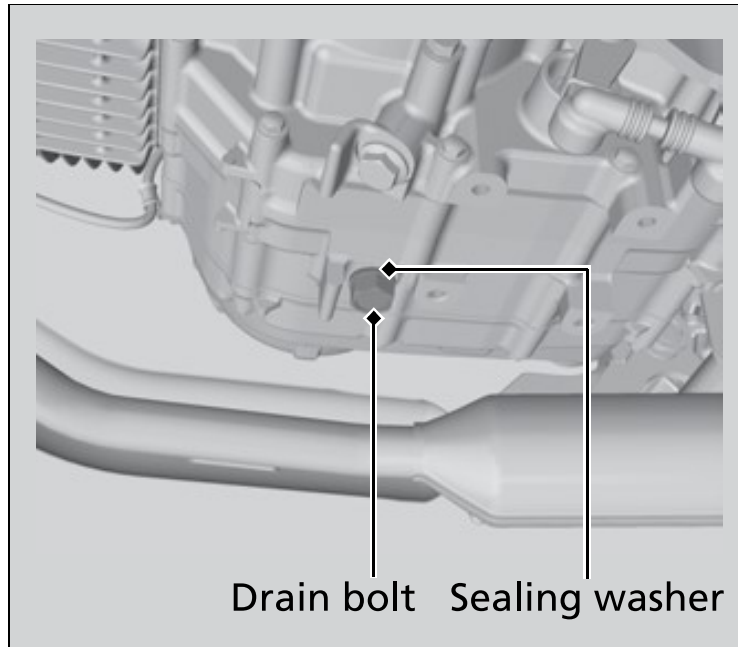


3. Place a drain pan under the drain bolt.
4. Remove the oil fill cap/dipstick, drain bolt, and sealing washer to drain the oil.
 - Discard the oil at an approved recycling centre.



5. Install a new sealing washer onto the drain bolt.
6. Install the drain bolt and tighten.

Torque: 24 N·m (2.4 kgf·m, 18 lbf·ft).

7. Fill the crankcase with the recommended oil (► P. 41) and install the oil fill cap/dipstick.

Required oil

When changing oil:

0.9 litres (1.0 US qt, 0.8 Imp qt)

8. Check the oil level. ► P. 51
9. Check that there are no oil leaks.