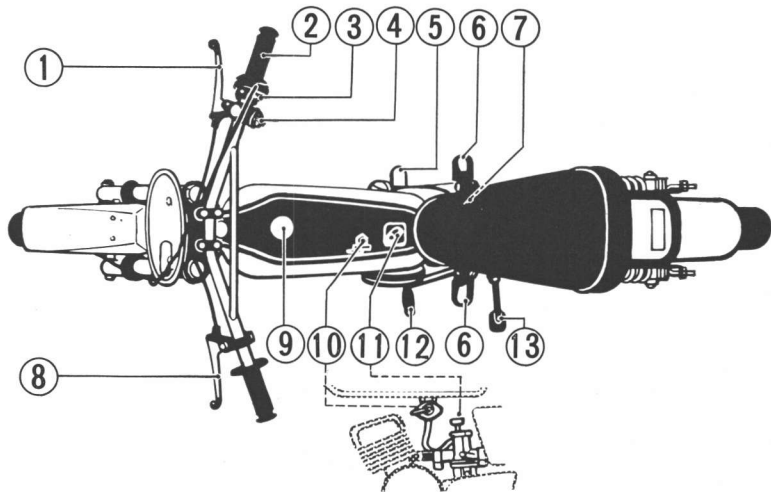


CONTROL LOCATIONS



- ① Front brake lever
- ② Throttle grip
- ③ Throttle adjuster
- ④ Ignition switch

- ⑤ Rear brake pedal
- ⑥ Foot peg
- ⑦ Kick starter pedal

- ⑧ Clutch lever
- ⑨ Fuel tank cap
- ⑩ Fuel valve

- ⑪ Fuel mixture enrichment knob
- ⑫ Gear change pedal
- ⑬ Side stand