

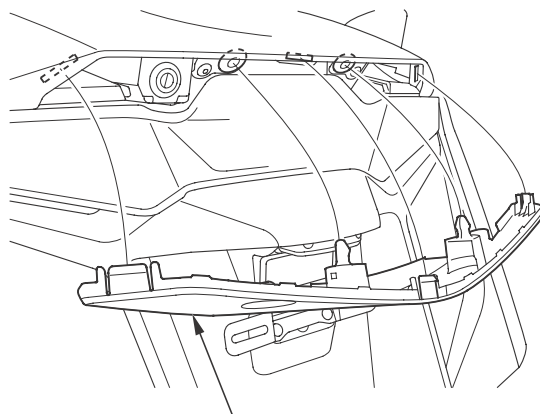


MAINTENANCE

Rear Turn Signal Bulb

Brake/Tail Light Bulb

1. Remove the rear top end cover.



Rear top end cover

2. Open the saddlebags (page 62).
3. Remove the nuts and tail light assembly.

