

Search Lever:

- **Fast-Forward/Rewind:**

To fast-forward the cassette tape, push up on the search lever; to rewind, push down on the search lever. The indicator "FF" or "RR" will blink in the display while the tape is being fast-forwarded or rewound. To stop the tape, momentarily push on the search lever.

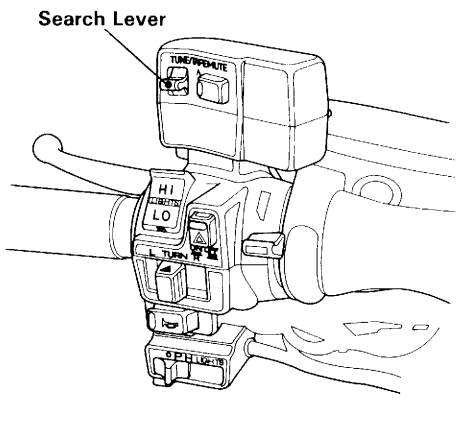
- **Tape Music Sensor (TMS):**

The TMS circuit senses silent passages between songs or programs on a tape.

Momentarily pushing up on the search lever automatically advances the tape to the beginning of the next song. Momentarily pushing down on the lever automatically returns the tape to the beginning of the song just played. The indicator "TMS" will be visible and "FF" or "RR" will blink in the displays while the "TMS" is in operation.

NOTE:

- Tapes that contain little or no silent passages between songs, a high level of noise between songs, or silent passages within a song may not be suitable for TMS.



Indicator

TMS