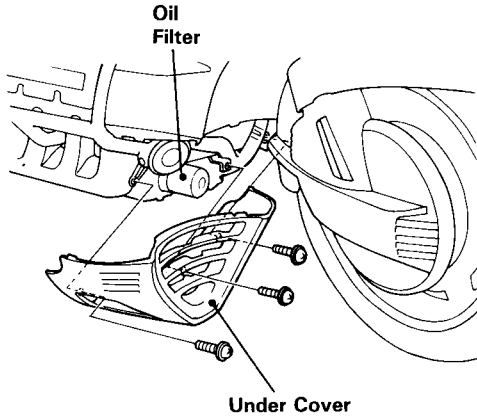
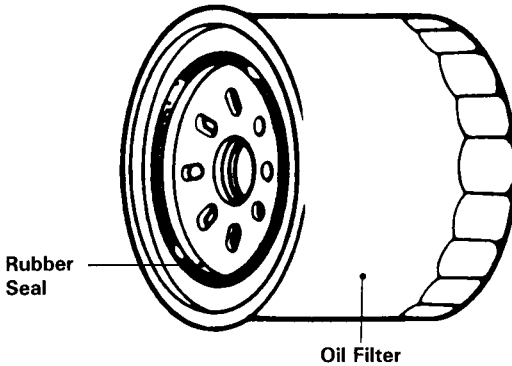


- 
2. Remove the under cover and oil filter with a filter wrench. Discard the oil filter.



3. Apply a thin coat of engine oil to the new oil filter rubber seal.



4. Install the new oil filter and tighten it: 10 N·m (1.0 kg-m, 7 ft-lb)