

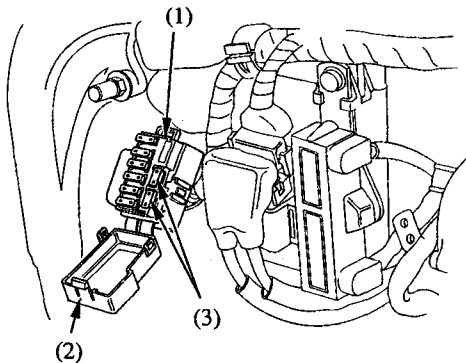
Fuse box:

The fuse box (1) is located behind the right side cover.

The specified fuses are:

10A, 5A

1. Turn the ignition switch OFF before checking or replacing a fuse to prevent an accidental short circuit.
2. Remove the right side cover (page 42).
3. Open the fuse box cover (2).
4. Pull out the fuse. If the fuse is blown, install a new fuse.
Spare fuses (3) are located in the fuse box.
5. Install the fuse box cover and right side cover.



- (1) Fuse box
- (2) Fuse box cover
- (3) Spare fuses