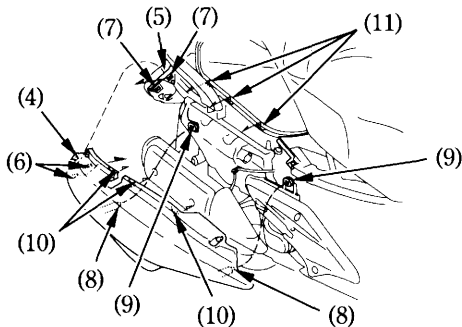
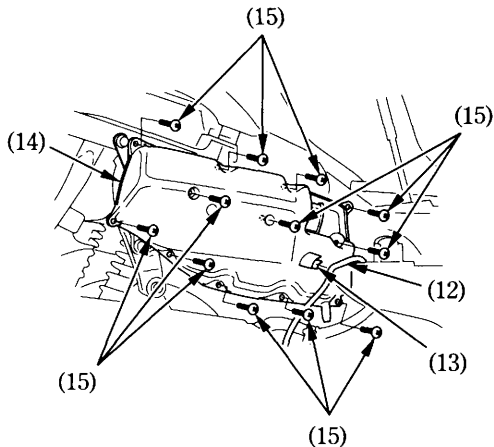


4. Remove the hook A (4) from the side of turn signal light case (5).
5. Remove the hooks B (6) from the slots B (7).
6. Remove the prongs (8) from the grommets (9).
7. Remove the hooks C (10) from the slots C (11).



- |                            |              |
|----------------------------|--------------|
| (4) Hook A                 | (8) Prongs   |
| (5) Turn signal light case | (9) Grommets |
| (6) Hooks B                | (10) Hooks C |
| (7) Slots B                | (11) Slots C |

8. Release the wire harness (12) from the guide (13).
9. Remove the air cleaner cover (14) by removing the screws C (15).



- |                   |                        |
|-------------------|------------------------|
| (12) Wire harness | (14) Air cleaner cover |
| (13) Guide        | (15) Screws C          |