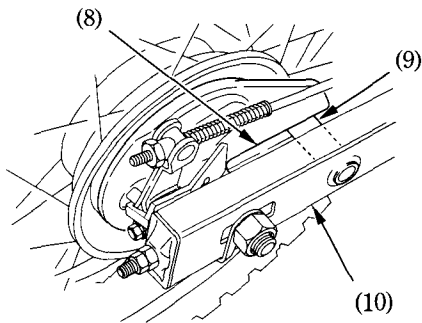


### Installation Notes:

- Reverse the removal procedure.
- Make sure that the slot (8) on the brake panel is located in the lug (9) in the swingarm (10).
- Tighten and torque the following nuts and bolts :  
Axle nut torque:  
    88 N·m (9.0 kgf·m , 65 lbf·ft)
- Adjust the brake (page 17 ) and drive chain (page 72 ).
- Apply the brake several times and check for free wheel rotation after the brake pedal is released.

If a torque wrench was not used for installation, see your Honda dealer as soon as possible to verify proper assembly. Improper assembly may lead to loss of braking capacity.



(8) Slot  
(9) Lug

(10) Swingarm