

Accessory Socket

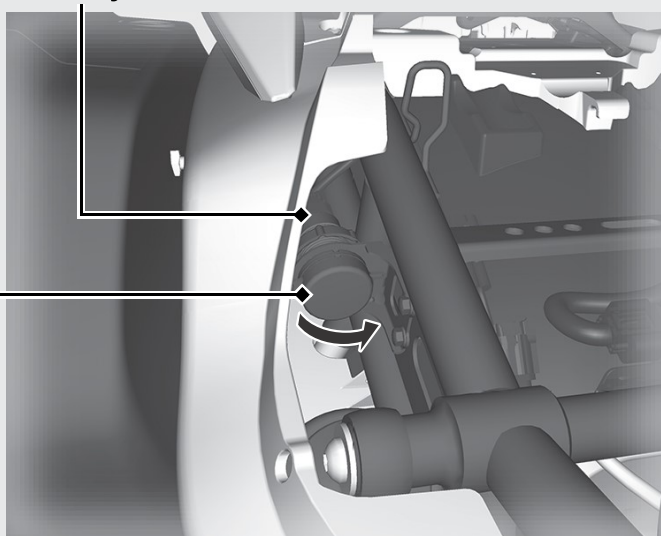
The accessory socket is located under the seat.

Open the cover to access to the accessory socket.

Rated capacity is

24W (12V, 2A).

Accessory socket



Cover

- ▶ To prevent the battery from becoming weak (or dead), keep the engine running while drawing current from the socket.
- ▶ Set the headlight on low beam while the socket is in use. The battery may run down or cause damage to the accessory socket.
- ▶ To prevent entry of foreign matter into the socket, be sure to close the cover when the accessory socket is not used.

Removing the Seat ➔ P.86