
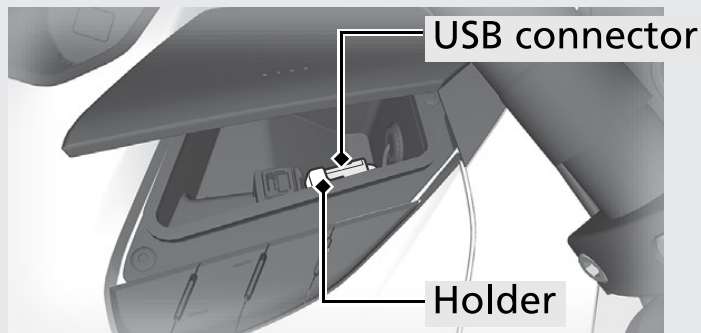


USB Digital Audio Player

To connect a USB device

- 1 Open the right fairing pocket.  P. 67
- 2 Release the USB connector from the holder.



- 3 Connect the USB device to the USB connector. The USB device status icon will be displayed when the audio system recognizes a USB device.



- Do not leave USB devices in the vehicle (fairing pocket). High heat will damage it.
- Read precaution statements on the provided instructions of your USB devices.

- USB devices can be charged with the USB cable when the ignition switch is in the ON or ACC position. The charging time may be longer than usual.
- We recommend covering your USB devices with soft fabric or cover to protect from damage.
- Be careful not to let the USB connector get wet.
- If the audio system does not recognize the USB device, try reconnecting it a few times or reboot the device.
- Some USB devices may not be compatible.
- Do not use hard disks, card readers, and memory readers which may damage the device and data. If you faultily connect the one of them, turn the ignition switch off and remove it.
- We recommend backing up your data before playing it.
- Do not connect USB devices using a hub.
- Do not connect incompatible USB devices.