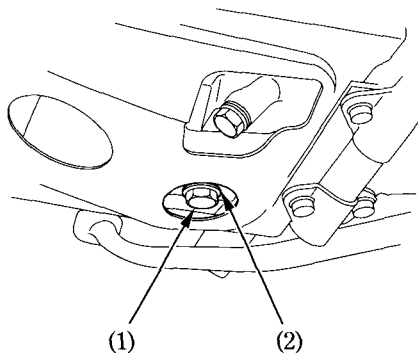


1. To drain the oil, remove the oil filler cap/dipstick and oil drain plug (1) and sealing washer (2).
2. With the engine stop switch OFF, operate the kickstarter several times to drain any oil which may be left in the engine.



- (1) Oil drain plug  
(2) Sealing washer

3. Check that the sealing washer on the drain plug is in good condition and install the plug. Replace the sealing washer every other time the oil is changed, or each time if necessary.

Engine oil drain plug torque:

24 N·m (2.4 kgf·m , 18 lbf·ft)

4. Fill the crankcase with the recommended grade oil; approximately:  
0.9 l (1.0 US qt , 0.8 Imp qt)
5. Install the oil filler cap/dipstick.
6. Start the engine and let it idle for 3–5 minutes.
7. 2–3 minutes after stopping the engine, check that the oil level is at the upper level mark on the oil filler cap/dipstick with the motorcycle on its center stand, level ground. Make sure there are no oil leaks.